

MATERIAL

AISI 303 stainless steel, hexagon socket head.

FEATURES AND APPLICATIONS

GN 632.5 grub screws can be used to realize different locking systems. On irregular or non-parallel surfaces, we suggest to couple them with technopolymer thrust pads GN 631 (see page 986) which allow the locking preventing the rotating movement of the screw from being exerted directly on the piece to be locked, protecting it from possible scratches.

Levers, knobs or other handles can be also fitted to the threaded end by means of pins.

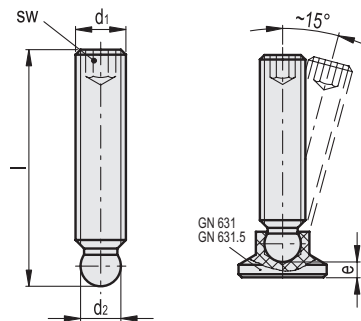
Diameter "d1" of the ball is smaller than diameter "d" of the screw, which allows the screwing from the spherical side.

SPECIAL EXECUTIONS ON REQUEST

Different threadings and lengths.



| Conversion Table | |
|-------------------|------|
| 1 mm = 0.039 inch | |
| mm | inch |
| 30 | 1.18 |
| 40 | 1.57 |
| 50 | 1.97 |
| 63 | 2.48 |
| 80 | 3.15 |
| 100 | 3.94 |



| Code | Description | d1 | d2 | l | sw | d1-e* | d1-e* | d1-e* | d1-e* | d1-e* | d1-e* | ⚖️ |
|----------|------------------|-----|-----------|-----|----|--------|--------|--------|--------|-------|-------|----|
| GN.12253 | GN 632.5-M6-30 | M6 | 4.5±0.025 | 30 | 3 | 15-3.6 | 18-5.2 | 21-6 | 25-6.5 | 32-7 | - | 5 |
| GN.12255 | GN 632.5-M6-40 | M6 | 4.5±0.025 | 40 | 3 | 15-3.6 | 18-5.2 | 21-6 | 25-6.5 | 32-7 | - | 8 |
| GN.12257 | GN 632.5-M6-50 | M6 | 4.5±0.025 | 50 | 3 | 15-3.6 | 18-5.2 | 21-6 | 25-6.5 | 32-7 | - | 10 |
| GN.12263 | GN 632.5-M8-40 | M8 | 6.1+0.05 | 40 | 4 | 15-2.5 | 18-4.2 | 21-5 | 25-5.5 | 32-6 | 40-8 | 12 |
| GN.12265 | GN 632.5-M8-50 | M8 | 6.1+0.05 | 50 | 4 | 15-2.5 | 18-4.2 | 21-5 | 25-5.5 | 32-6 | 40-8 | 15 |
| GN.12267 | GN 632.5-M8-63 | M8 | 6.1+0.05 | 63 | 4 | 15-2.5 | 18-4.2 | 21-5 | 25-5.5 | 32-6 | 40-8 | 19 |
| GN.12273 | GN 632.5-M10-50 | M10 | 7.8+0.05 | 50 | 5 | 18-3.8 | 21-4.3 | 25-4.6 | 32-5 | 40-7 | - | 22 |
| GN.12275 | GN 632.5-M10-63 | M10 | 7.8+0.05 | 63 | 5 | 18-3.8 | 21-4.3 | 25-4.6 | 32-5 | 40-7 | - | 29 |
| GN.12277 | GN 632.5-M10-80 | M10 | 7.8+0.05 | 80 | 5 | 18-3.8 | 21-4.3 | 25-4.6 | 32-5 | 40-7 | - | 37 |
| GN.12283 | GN 632.5-M12-63 | M12 | 9.4+0.05 | 63 | 6 | 21-3.4 | 25-3.6 | 32-4.2 | 40-6.2 | - | - | 41 |
| GN.12285 | GN 632.5-M12-80 | M12 | 9.4+0.05 | 80 | 6 | 21-3.4 | 25-3.6 | 32-4.2 | 40-6.2 | - | - | 53 |
| GN.12287 | GN 632.5-M12-100 | M12 | 9.4+0.05 | 100 | 6 | 21-3.4 | 25-3.6 | 32-4.2 | 40-6.2 | - | - | 68 |

* The values refer to GN 631 and GN 631.5

